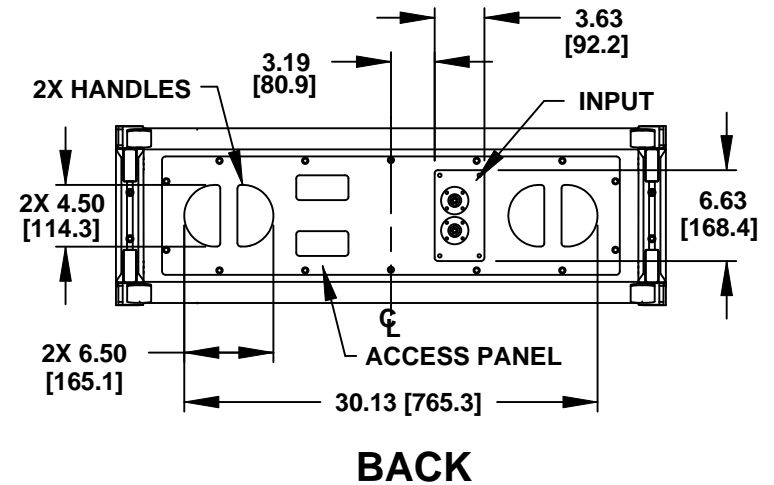
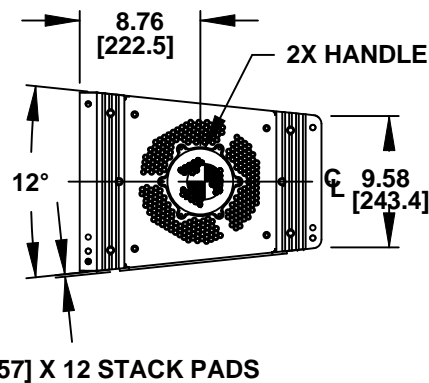
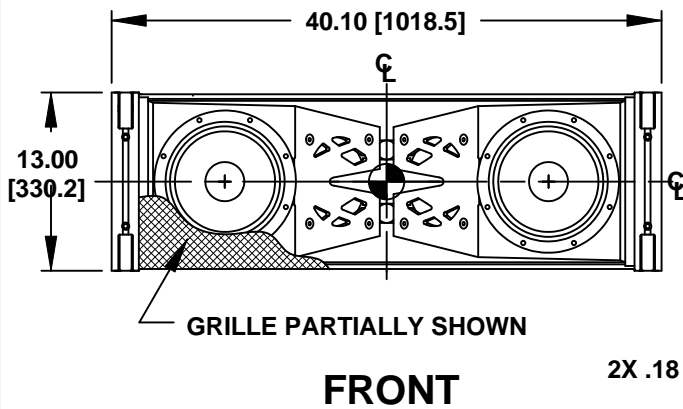
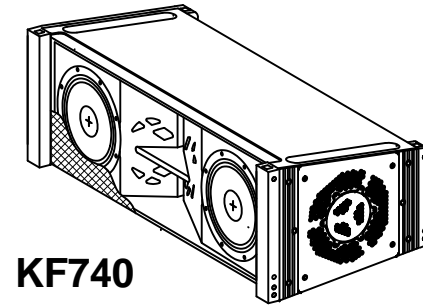
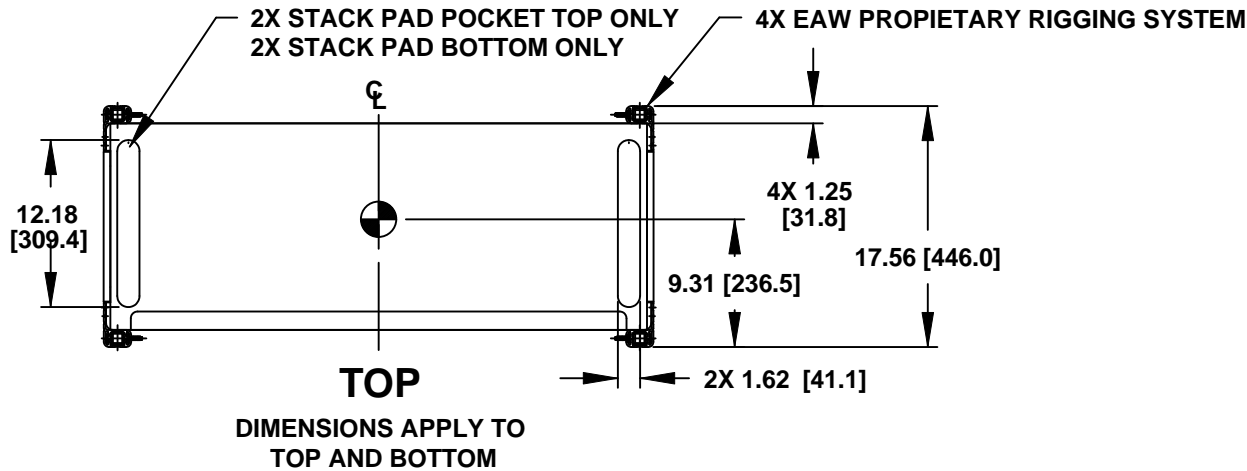



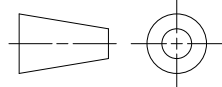
REV	CHANGE NUMBER	DATE
A	ECOWHT5806	9/2/09



**NOTES:**

1. SYMBOL  INDICATES CENTER OF BALANCE.
2. WEIGHT APPROX. 107.2 LBS [48.6] KG.
3. SHIPPING WEIGHT APPROX. 120 LBS [54.4] KG.

THIRD ANGLE PROJECTION



THE INFORMATION CONTAINED HEREIN IS PROPRIETARY AND CONFIDENTIAL PROPERTY OF LOUD TECHNOLOGIES, INC. ALL RIGHTS RESERVED

UNLESS OTHERWISE SPECIFIED: ALL DIMENSIONS ARE IN INCHES DUAL [MM] DIMENSIONS FOR REF ONLY

TOLERANCES  
LINEAR ± 0.13 in / ± 3.3 mm  
ANGLES ± 1°

(X.XX) = REF DIMS  
NO TOLERANCE IMPLIED

TSC=THEORETICAL SHARP CORNER  
DIMENSIONS ACROSS CENTERLINES TO BE SYMMETRICAL

**EAW** www.eaw.com

TITLE: DWG CUSTOMER KF740  
[MECHANICAL SPECIFICATION]

**A** SHEET 1 OF 1 SCALE: 1 TO 14

DRAWING NUMBER: 0033152-CD REVISION: A