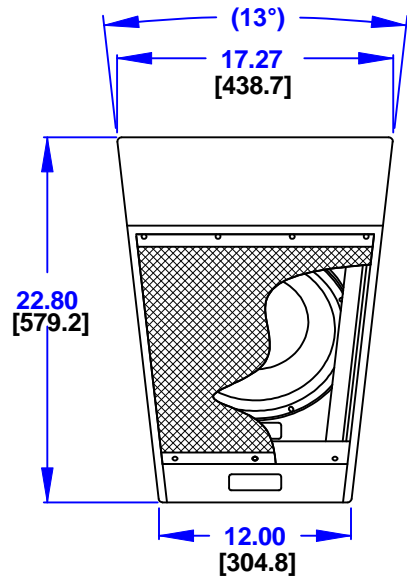
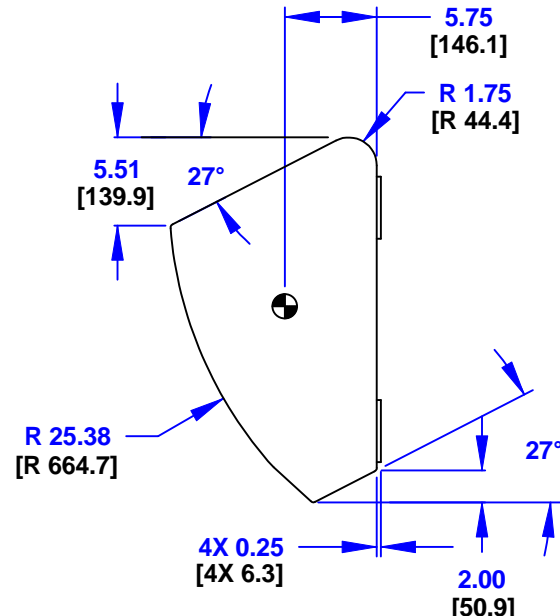


REV	DESCRIPTION	APVD/DATE
A	RELEASE TO PRODCUTION STATUS REV A PER DSRWHT9470 ES 2/29/08	SEE AGILE

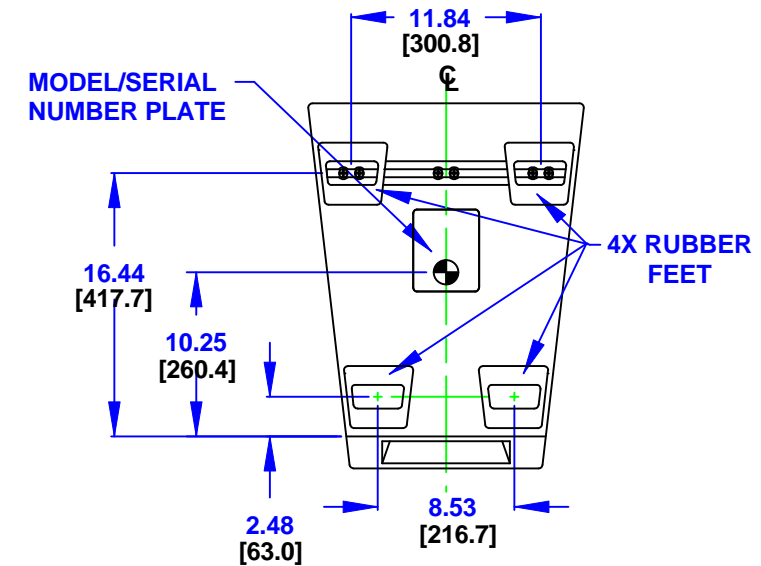


**TOP**

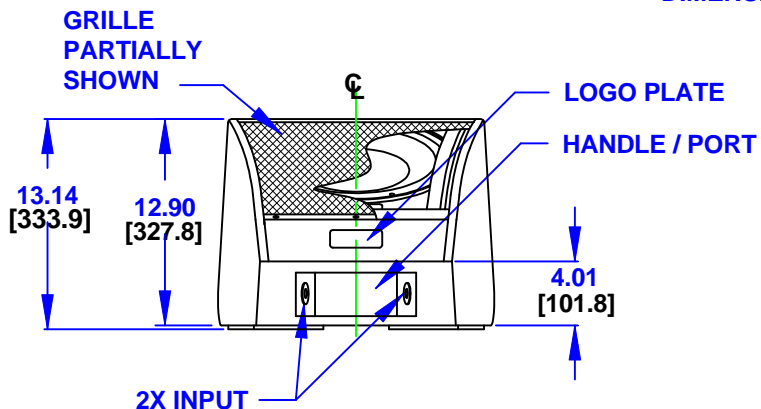


**RIGHT SIDE**



DIMENSIONS APPLY TO BOTH SIDES

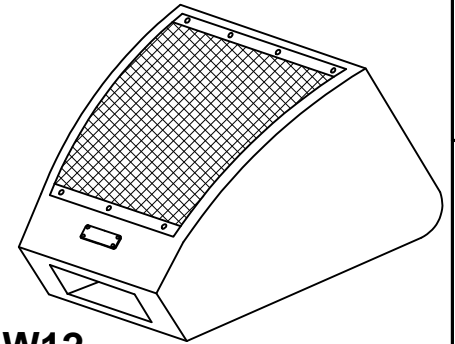


**BACK**

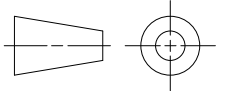



**FRONT**

- NOTES:**
1. SYMBOL  INDICATES 15.00 [381.0] X 1.35 [34.3] FLY TRACK.
  2. SYMBOL  INDICATES CENTER OF BALANCE.
  3. WEIGHT APPROX. 47.00 lb [21.3 kg].
  4. SHIPPING WEIGHT APPROX. 60.50 [27.4 kg].



**MW12**

<p>THIRD ANGLE PROJECTION</p> 	<p>UNLESS OTHERWISE SPECIFIED: ALL DIMENSIONS ARE INCHES [MILLIMETERS]</p>		<p>STATUS: <b>PRODUCTION</b></p>		 <p><b>LOUD Technologies Inc.</b> ONE MAIN STREET WHITINSVILLE, MA 01588 USA</p>	
	<p>TOLERANCES LINEAR ± 0.13 in/ ± 3.3 mm ANGLES ± 1°</p> <p>(X.XX) = REF DIMS NO TOLERANCE IMPLIED</p> <p>TSC=THEORETICAL SHARP CORNER DIMENSIONS ACROSS CENTERLINES TO BE SYMMETRICAL</p>		<p>APPROVALS</p>	<p>DATE</p>		<p>TITLE: DWG CUSTOMER MW12 [MECHANICAL SPECIFICATION]</p>
<p>THE INFORMATION CONTAINED HEREIN IS PROPRIETARY AND CONFIDENTIAL PROPERTY OF LOUD TECHNOLOGIES, INC. ALL RIGHTS RESERVED</p>			<p>DRAWN: J. MORRISON</p>	<p>7/27/07</p>	<p>SHEET 1 OF 1</p>	
			<p>CHECKED: SEE AGILE</p>	<p>N/A</p>		<p>SCALE: 1 TO 12</p>
			<p>DES ENG: SEE AGILE</p>	<p>N/A</p>		
		<p>MFG ENG: SEE AGILE</p>	<p>N/A</p>		<p>VELLUM</p>	