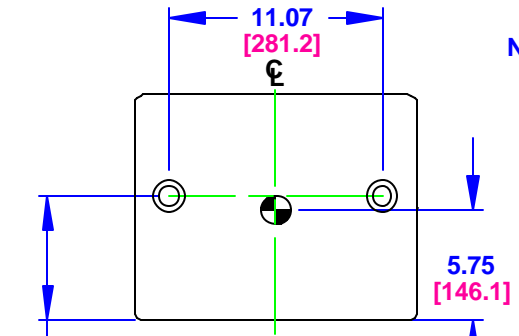
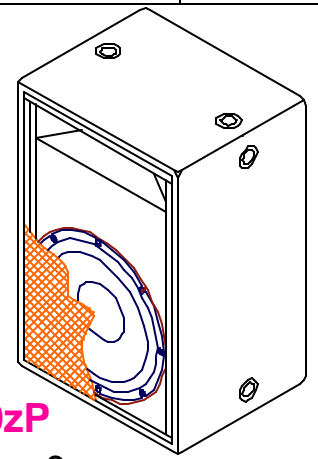


REV	DESCRIPTION	
A	REVISED AND RELEASED TO PRODUCTION FROM PROTOTYPE REV 2 PER DSRWHT6066 DM 4/15/05	RS 4/20/05

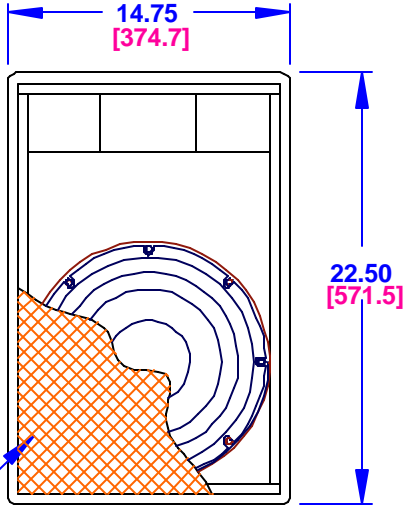


**TOP/BOTTOM**

- NOTES:**
1. SYMBOL  $\odot$  INDICATES MOUNTING POINT, 3/8-16 THREADED HOLE (PI ANGLE).
  2. SYMBOL  $\bullet$  INDICATES CENTER OF BALANCE.
  3. WEIGHT APPROX. 47.00 lb [21.3 kg]
  4. SHIPPING WEIGHT APPROX. 53.00 lb [24.0 kg]

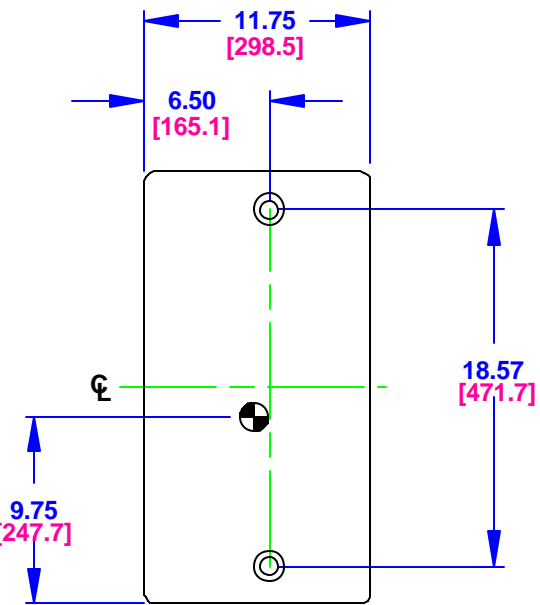


**SB120zP**

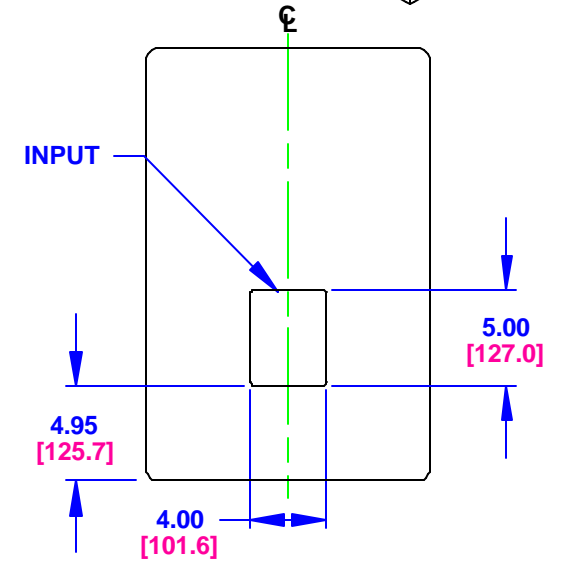


**FRONT**

GRILLE PARTIALLY SHOWN



**RIGHT SIDE**  
DIMENSIONS APPLY TO BOTH SIDES



**BACK**

DOCUMENT CONTROL PER SPECIFICATION 4.5.201

<p>THIRD ANGLE PROJECTION</p>	<p>UNLESS OTHERWISE SPECIFIED: ALL DIMENSIONS ARE INCHES [MILLIMETERS]</p> <p>TOLERANCES LINEAR <math>\pm 0.13</math> in/ <math>\pm 3.3</math> mm ANGLES <math>\pm 1^\circ</math></p> <p>{X.XX} = REF DIMS NO TOLERANCE IMPLIED</p> <p>TSC=THEORETICAL SHARP CORNER DIMENSIONS ACROSS CENTERLINES TO BE SYMMETRICAL</p>	<p>STATUS: <b>PRODUCTION</b></p>		<p><b>EAW</b> EASTERN ACOUSTIC WORKS ONE MAIN STREET WHITINSVILLE, MA 01588 USA</p>
		<p>APPROVALS</p> <p>DRAWN: DM 6/18/04</p> <p>CHECKED: RS 4/22/05</p> <p>DES ENG: BP 4/25/05</p> <p>MFG ENG: MD 4/22/05</p>	<p>DATE</p> <p>6/18/04</p> <p>4/22/05</p> <p>4/25/05</p> <p>4/22/05</p>	
<p>THIS DRAWING IS THE PROPERTY OF EAW AND SHALL NOT BE COPIED, REPRODUCED, OR USED AS THE BASIS FOR MANUFACTURE OR SALE OF APPARATUS WITHOUT WRITTEN AUTHORIZATION. DO NOT SCALE DRAWING.</p>				<p>A SHEET 1 OF 1 SCALE: 1 TO 10</p>
			<p>DRAWING NUMBER: 0010329</p>	<p>REVISION: A</p>