



CE DECLARATION OF CONFORMITY

PRODUCT

Product Model:	EAW FLYBAR KF740 [FB174]	p/n 0033033
Description:	Rigging frame structure	
Dimensions (h x w x d):	1016 mm x 711 mm x 145 mm / 40.0 in x 28.0 in x 5.7 in	
Material:	Structural aluminum and steel	
Supplied Accessories:	4x Connecting Pin 6" lanyard	p/n 0020558-02
Accessories:	Spare Connecting Pins	p/n 0020558-02
	KF740 Loudspeaker	p/n 0033126
	Adapter Bar KF740 to KF730 [AB7473]	p/n 0032870
	Ground Stack Accessory [ACC-GS276]	p/n 0026787

COUNTRY OF ORIGIN FOR THE PRODUCT AND COMPONENTS

United States of America

TECHNICAL SPECIFICATIONS

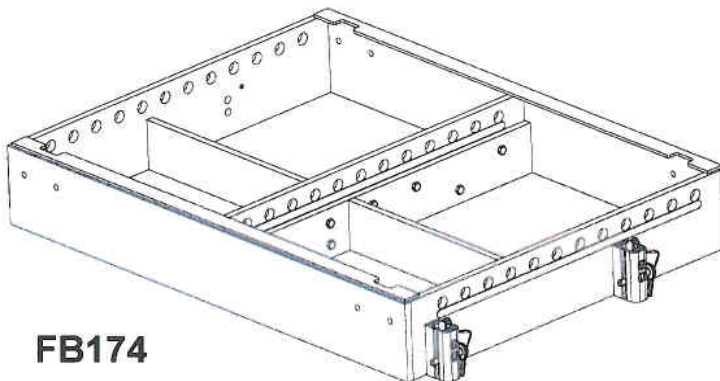
For the purposes of this declaration the KF740 loudspeaker is to be suspended below the FB174 Fly Bar. Applications utilizing AB7473 to underhang KF730 loudspeakers must also account for the weight of those products and be hung according to their supplied documentation. When used in accordance with the KF740 Owner's Manuals the Working Load Limits (WLL) and Design Factor are:

Nominal Weight of KF740	49 kg / 107 lb
Nominal Weight of FB174	34 kg / 75 lb
WLL (for Fly Bar array)	776 kg / 1710 lb
Ultimate Strength Design Factor	>10:1

STANDARDS CONFORMITY

The KF740 loudspeaker is designed and intended to be suspended from the FB174 Fly Bar in accordance with the Generic Owner's Manual and Resolution software predictions. In a KF740-only array up to sixteen (16) KF740 loudspeakers may be vertically suspended in a column below the FB174 Fly Bar. In a mixed KF740/AB7473/KF730 array any combination KF740, a single AB7473, and a maximum of six (6) KF730s may be hung that does not in total exceed the stated maximum WLL. The total weight of the KF740 array must not exceed the WLL of the integral rigging components or that of the FB174 Fly Bar.

The ultimate strength for the FB174 fly bar was determined utilizing calibrated and certified destructive pull-tests.





Eastern Acoustic Works, as the manufacturer, hereby certifies that, in their delivered versions, The FB174 fly bar with the provisions of the directives and standards listed below.

European Council Directive on Lifting Accessories, 98/37/EEC
BGV-C1: (German Standard for Lifting Accessories and Audio Rigging)
DIN 56950 (German Machinery Installation – Safety)

The Technical Report/File is maintained at:
LOUD Technologies Inc. Worldwide Headquarters
16220 Wood-Red Road NE
Woodinville, WA 98072 USA
Tel: +1 425 892 6500
Tel: +1 866 858 5832
Fax: +1 425 487 4337
e-mail: info@eaw.com

Authorized Representative:

A handwritten signature in black ink, appearing to read 'Case Hubbard', is written over a thin horizontal line.

Chief Financial Officer
LOUD Technologies Inc.
Issued: September, 2012