

**Loud Technologies, Inc.**  
**DECLARATION OF CONFORMITY**

Manufacturer's Name: **Loud Technologies, Inc.**

Manufacturer's Address: **16220 Wood-Red Rd.  
Woodinville WA 98072  
U.S.A.**

**Declares that the following product:**

Product  
(Produit, Erzeugnis): **Commercial Audio – Speakers and Rigging Systems**

Model Numbers  
(Marque Commercial,  
Warenbezeichnung): **NTS22**

**Conforms to the following standards and directives,**

European Directives	<b>2006/95/EC (Low Voltage Directive)</b>
	<b>2004/108/EC (EMC Directive) All applicable amendments</b>
	<b>98/37/EEC (Lifting Accessories)</b>
	<b>89/37/CE (Machinery Directive – Part 4)</b>
	<b>BGV-C1 (German Standard for Audio Rigging)</b>
	<b>DIN 56950 (German Machinery Installation – Safety)</b>
EMC	<b>EN 55103-1, -2:1990</b>
Safety:	<b>EN60065:2002</b>

**Signature:** 

**Place:** Woodinville, WA. USA

**Full Name:** Kevin Howard

**Date of Issue:** April 7, 2008

**Position:** Compliance Manager



## DECLARATION OF WORKING LOAD LIMIT (WLL)

### PRODUCT

Product Model: NTS22 p/n: 0015262-90, 0016290-90

Description: EAW NTS22 BLACK 115V, EAW NTS22 BLACK 230V

Dimensions (h x w x d): 17.6 x 25.9 x 30.2 in / 447 x 657 x 767 mm

Material: 19 ply-per inch Baltic birch plywood  
Integral aluminum flytrack

Supplied Accessories: N/A

Accessories: FLYCLIP/CABLE/LINK/KF700/QTY4 p/n 255061

### COUNTRY OF ORIGIN FOR THE PRODUCT AND COMPONENTS

United States of America and/or China

### TECHNICAL SPECIFICATIONS

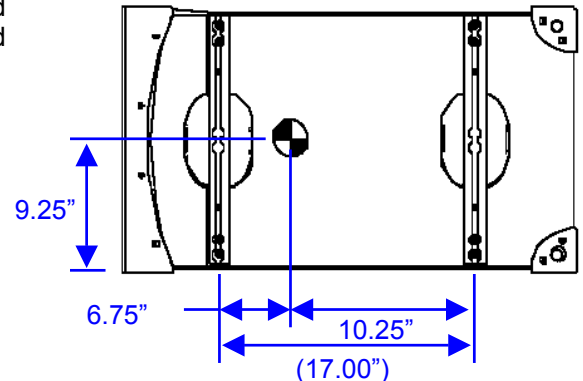
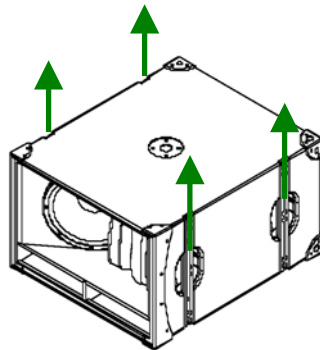
The NTS22 subwoofer is designed to be hung from the integral aluminum fly track on the sides of the enclosure from a user designed, certified, and supplied fly bar. Connections between NTS22 enclosures shall be via four (4) flyclip cables (p/n 255061) per enclosure. All four cables must be used to connect one enclosure to another.

A maximum of twelve (12) NTS22 enclosures may be flown in the same array. The minimum design factor and WLL of the cabinet are provided in the table below. This data is applicable only when using the specified flyclip cables between enclosures and may be superseded by WLL documentation of other components within the array.

Nominal Cabinet Weight	45 kg / 98 lb
WLL	550 kg / 1,210 lb
Maximum Straight Hang	12 - NTS22 enclosures
Ultimate Strength Design Factor	> 10:1

The ultimate yield strength for the NTS22 enclosure and accessories was determined utilizing calibrated and certified destructive pull tests.

Hang the enclosure from the four (4) points indicated by to the right.



April 2008

Loud Technologies, Inc. / Eastern Acoustic Works  
One Main Street  
Whitinsville, MA 01588

Tel: 800 992 5013  
e-mail: [asg@eaw.com](mailto:asg@eaw.com)  
[www.eaw.com](http://www.eaw.com)

EAW products are continually improved. All specifications are therefore subject to change without notice.



Eastern Acoustic Works, as the manufacturer, hereby certifies that, in their delivered versions, The NTS22 complies with the provisions of the directives and standards listed below.

European Council Directive on Lifting Accessories, 98/37/EEC  
European Council Directive on Low Voltage, 73/23/EEC  
EN 60065:2002 Audio, video, and similar electronic apparatus - safety requirements  
European Council Directive on Electromagnetic Compatibility 89/336/EEC and 93/68/EEC  
EN 55103-1:1997 Electromagnetic compatibility. Product family standard for audio, video, audio-visual, and entertainment lighting control apparatus for professional use - Emission  
EN 55103-2:1997 Electromagnetic compatibility. Product family standard for audio, video, audio-visual, and entertainment lighting control apparatus for professional use - Immunity  
BGV-C1: (German Standard for Lifting Accessories and Audio Rigging)  
DIN 56950 (German Machinery Installation – Safety)

Harmonized Standards:

EN55103-1 emissions  
EN55022 Radiated and Conducted Emissions  
EN55103-2 immunity  
EN60065 safety

The Technical Report/File is maintained at:  
LOUD Technologies Inc. Worldwide Headquarters  
16220 Wood-Red Road NE  
Woodinville, WA 98072 USA  
Tel: +1 425 892 6500  
Tel: +1 866 858 5832  
Fax: +1 425 487 4337  
e-mail: [asg@eaw.com](mailto:asg@eaw.com)  
Authorized Representative:

A handwritten signature in black ink that reads 'Kevin Howard'. The signature is written in a cursive, flowing style.

Kevin Howard  
Compliance Manager  
LOUD Technologies Inc.  
Issued: April, 2008

April 2008

Loud Technologies, Inc. / Eastern Acoustic Works  
One Main Street  
Whitinsville, MA 01588

Tel: 800 992 5013  
e-mail: [asg@eaw.com](mailto:asg@eaw.com)  
[www.eaw.com](http://www.eaw.com)

EAW products are continually improved. All specifications are therefore subject to change without notice.