



DECLARATION OF WORKING LOAD LIMIT (WLL)

PRODUCT

Product Model: KF760 Flybar p/n 255099
Description: ASSEMBLY/FLYBAR[KF760/761]
Dimensions (h x w x d): 12.83" x 44.75" x 31.00"
Material: Steel
Supplied Accessories: Connecting Pin .38" x 4" p/n 179105
Accessories: N/A

COUNTRY OF ORIGIN FOR THE PRODUCT AND COMPONENTS

United States of America

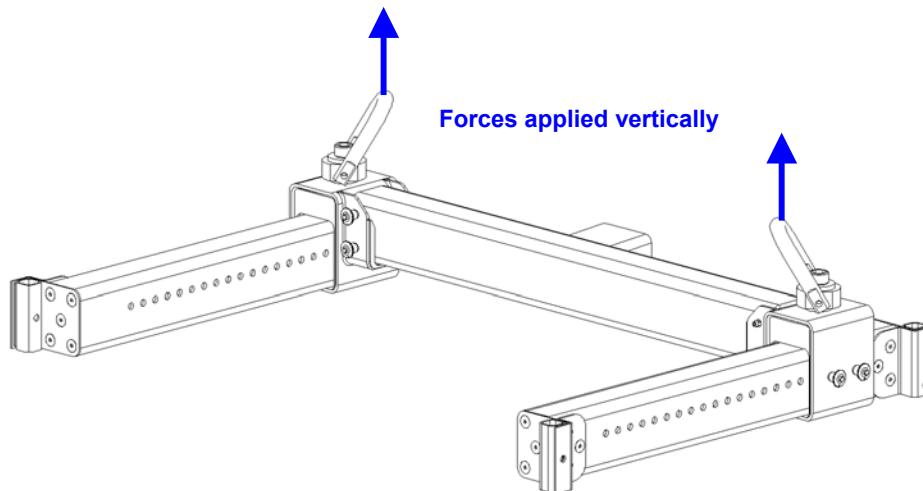
TECHNICAL SPECIFICATIONS

The KF760 Fly Bar is designed and intended for use only with the KF760 and KF761 products and only in accordance with the KF760 / KF761 Loudspeaker Owner's Manual.

Any combination of up to twenty (20) KF760 or KF761 Loudspeakers may be flown in the same array. The minimum design factor and Working Load Limit of the fly bar are provided in the table below. This data is applicable only when the fly bar is used in the manner described in the user's manual, and may be superseded by WLL documentation of other components within the array.

Nominal Fly Bar Weight	57 kg / 125 lb
WLL	1,946 kg / 4,290 lb
Ultimate Strength Design Factor	> 9:1

The ultimate yield strength for the KF760 and KF761 Fly Bar was determined utilizing calibrated and certified destructive pull tests.



September 2007

Eastern Acoustic Works
One Main Street
Whitinsville, Ma 01588

Tel: 800 992 5013
e-mail: info@eaw.com
www.eaw.com

EAW products are continually improved. All specifications are therefore subject to change without notice.