



DECLARATION OF WORKING LOAD LIMIT (WLL)

PRODUCT

Product Model: ANGLE/PI[2 X 2 X .12 X 3/8-16]STL p/n 174019
Description: Internal angle bracket with 3/8-16 threads
Dimensions (h x w x d): 50.8 mm x 50.8 mm x 3 mm / 2 in x 2 in x .12 in
Material: Cold Rolled Steel (CRS)
Steel weld nuts
Supplied Accessories: N/A
Accessories: BOLT/MACHINE EYE 3/8"-16 X 1-1/4" p/n 104001
or Customer supplied equivalent

COUNTRY OF ORIGIN FOR THE PRODUCT AND COMPONENTS

United States of America or China

TECHNICAL SPECIFICATIONS

The angle bracket is used in many EAW products; please contact the Applications Support Group to determine whether this applies to your product. The minimum design factor and Working Load Limits are provided in the table below. This data is applicable only when the angle bracket is loaded perpendicular to the attachment surface, as shown in Figure 1.

WLL (for a single enclosure rigging point)	46 kg / 100 lb
Ultimate Strength Design Factor	≥10:1

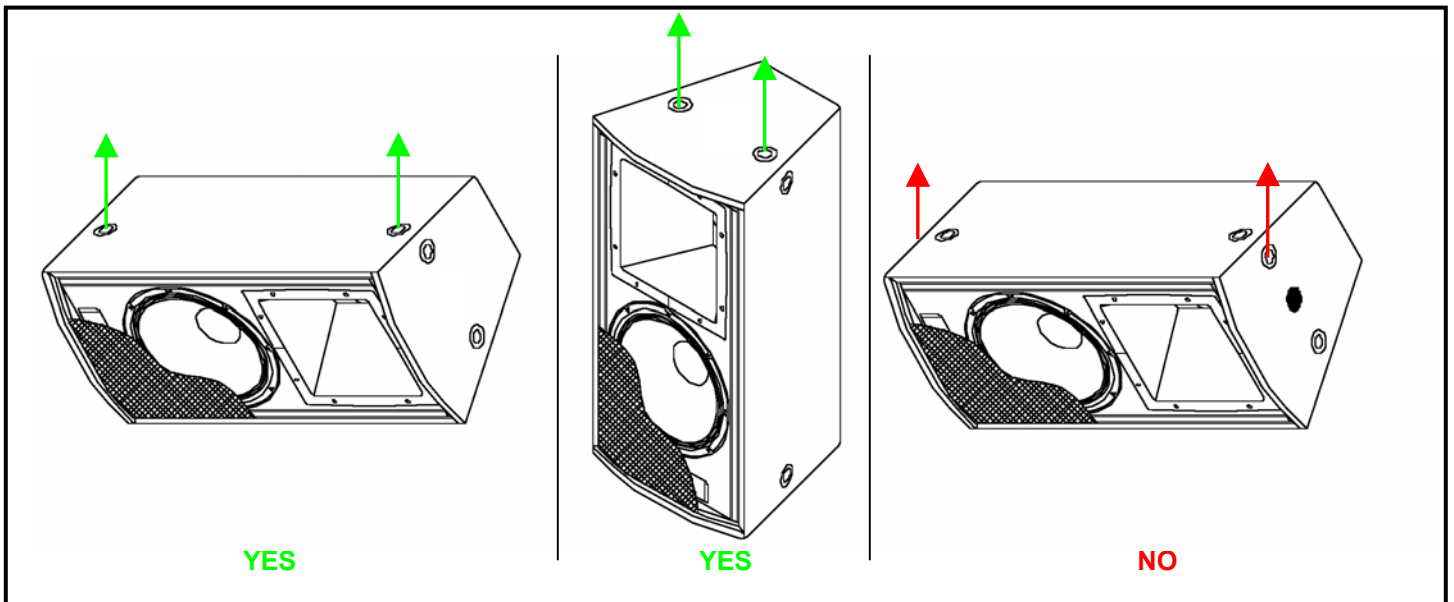


FIGURE 1 – Loading of the angle bracket

The Steel Angle Brackets are intended only for hanging one loudspeaker. The bracket is not intended for hanging one loudspeaker from another.